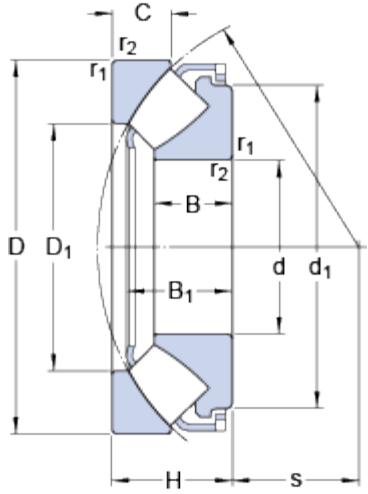


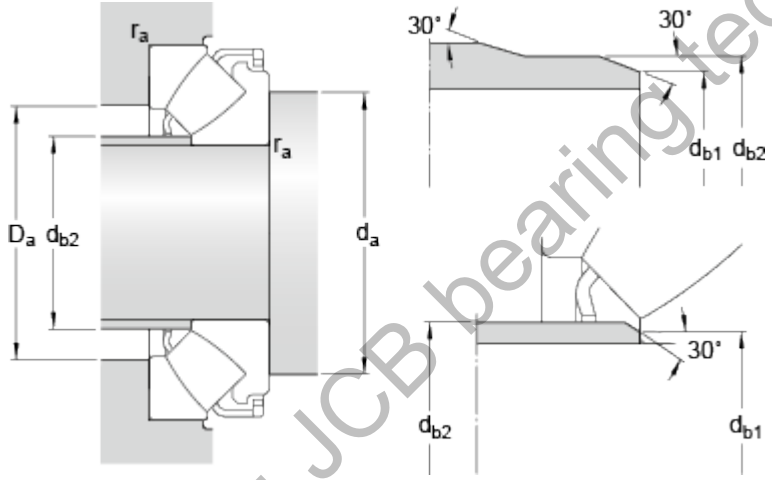
▶
29338-YA8

Dimensions



d	190	mm
D	320	mm
H	78	mm
d ₁	≈ 285	mm
D ₁	≈ 244	mm
B	49	mm
B ₁	71.3	mm
C	36	mm
s	110	mm
r _{1,2}	min. 4	mm

Abutment dimensions



d _a	min. 250	mm
d _{b1}	max. 200	mm
d _{b2}	max. 211	mm
D _a	max. 280	mm
r _a	max. 3	mm

Calculation data

Basic dynamic load rating	C	1630	kN
Basic static load rating	C ₀	4750	kN
Fatigue load limit	P _u	490	kN
Reference speed		1100	r/min
Limiting speed		1900	r/min
Minimum axial load factor	A	2.1	

Mass

Mass bearing	23.5	kg
--------------	------	----